



# BT8006

## DOUBLE STUD WALL MOUNT

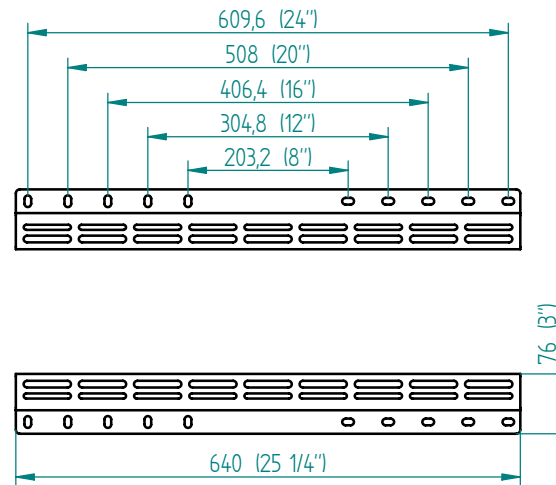
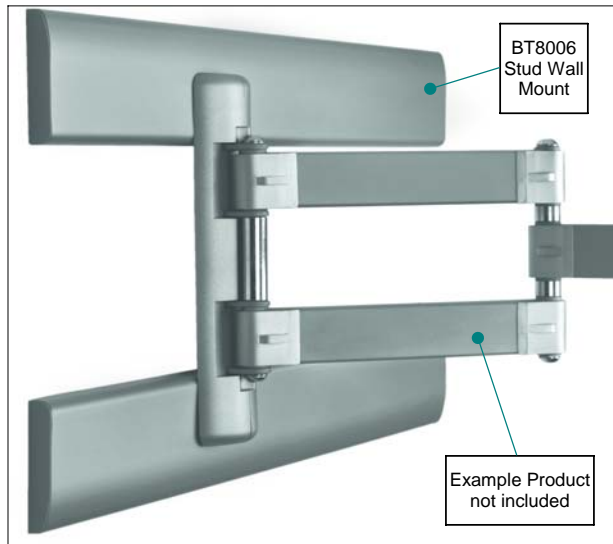
### ASSEMBLY AND INSTALLATION

This pack contains:  
2 x stud mounting rails with fixing kit.



**Caution:** Do not exceed the maximum weight limit indicated for this product. Failure to comply may cause instability and possible serious injury.

Registered Design No: 4003648



- Designed to allow B-Tech wall mounts be mounted safely on stud walls across two or more studs
- Suitable for 8", 12", 16", 20" and 24" stud walls
- Ideal for use with BT7512, BT7513, BT7514, BT7515, BT7534 and BT7535. For a full list of compatible mounts, see Page 3
- Can be used with BT8007 adaptor to mount most B-Tech CRT and speaker mounts
- Plate depth including cover: 16.5mm (5/8")
- Products can be mounted in any position along the mount rails
- Maximum load: 90Kg (198lbs)
- All mounting hardware and fixings included



#### Important Safety Instructions.

##### Read first

Do not attempt to install this product until all instructions and warnings have been read and properly understood. Please keep these instructions for future reference. B-Tech International Limited, its distributors and dealers are not liable or responsible for damage or injury caused by improper installation, improper use or failure to observe these safety instructions. In such cases, all guarantees will expire.

##### General

B-Tech International Ltd recommends that a professional AV installer or other suitably qualified person install this product. Great care must always be taken during installation as most AV equipment is of a fragile nature, possibly heavy and easily damaged if dropped. If you do not fully understand the instructions or are not sure how to install this product safely, then please consult a professional for advice and/or to install this product for you. Failure to mount this product correctly may cause serious injury or death both during installation and at any time thereafter. Do not mount any AV equipment that exceeds the specific weight limit of the product you are installing. This weight limit will be clearly stated on each product and its packaging and will vary from product to product.

##### Product location

Please pay careful attention to where this product is located. Some ceilings, walls and floors are not suitable for installation. If located in a public or frequently populated area ensure that the product is out of the immediate reach of people. If any AV equipment is to be suspended over the likely path or location of people then great care should be taken to secure all parts of the installation from falling. If you install this product on drywall it must be securely fixed to a wooden stud, concrete block or other permanent structure behind the drywall board. Installing on drywall boards alone will not support the weight of most AV equipment. When drilling holes in ceilings, walls and floors it is essential to avoid contact with electrical cables and water or gas pipes contained within. Use of a good quality live wire detector and hidden object locator is therefore recommended. Only drill into structures when you are sure it is safe to do so.

##### Fixing hardware

It is highly recommended that all ceiling, wall and floor fixing screws be used where supplied and that the purpose of all other fixing hardware is fully understood. In some cases more AV equipment fixing hardware will be supplied to accommodate different models of equipment and set up configurations. The installer must be satisfied that any supplied fixing hardware is suitable for each specific installation. If any fixing screws or included hardware are deemed not sufficient for a safe installation then please consult a professional or your local hardware store.

##### Hazard limitation

When routing cables take advantage of any built in cable management features that the product might provide and ensure that all cables are tidy and secure. Check to see that any moving aspect of the product can do so unhindered by any cabling. Some products have moving parts and the potential to cause injury through the crushing or trapping of fingers or other body parts. Particular attention to the nature of moving parts is required especially when assembling installing and adjusting during set up. Immediately after installations double-check that the work done is safe and secure. Double-check all necessary fixings are present and are of ample tightness. It is recommended that periodic inspections of the product and its fixing points are made as frequently as possible to ensure that safety is maintained. If in doubt consult a professional AV installer or other suitably qualified person.

Head Office  
**B-Tech International Ltd.**  
Bennett House, Long March, Daventry, Northants NN11 4NR, UK  
Tel: +44 (0)1327 300 787 Fax: +44 (0)1327 706 562  
Email: info@btechavmounts.co.uk

Europe  
**B-Tech PRO-AV bvba**  
Brixtonlaan 32, Zaventem 1930, Brussels, Belgium  
Tel: +32 (0)2 720 92 71 Fax: +32 (0)2 725 42 15  
Email: info@btechproav.com

North America  
**B-Tech Audio Video Mounts.**  
10 Greg Street, #108, Sparks, NV 89431, USA  
Tel: (1)800 975 5812 Fax: (1)800 592 2876  
Email: info@btechavmounts.com

Asia Pacific  
**B-Tech International (Hong Kong) Ltd.**  
23rd Floor, Manulife Tower, North Point, HK  
Tel: (+852) 2556 7337 Fax: (+852) 2556 7321  
Email: info@btechavmounts.com.hk

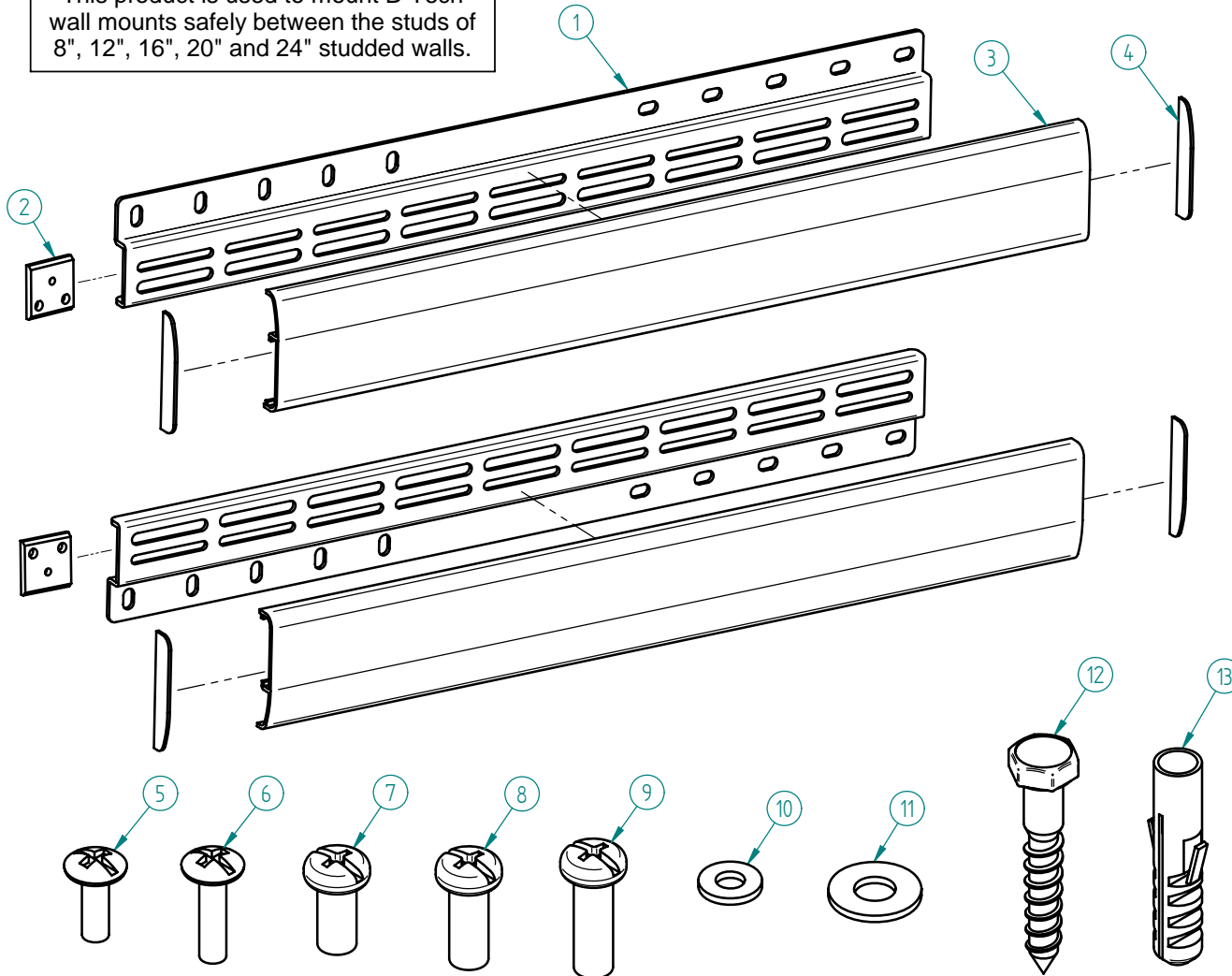
[www.btechavmounts.com](http://www.btechavmounts.com)



# BT8006 PARTS LIST

**IMPORTANT**

This product is used to mount B-Tech wall mounts safely between the studs of 8", 12", 16", 20" and 24" studded walls.



## PARTS LIST

No	PART NAME	QTY
1	STUD MOUNT RAIL	2
2	CLAMP PIECE	4
3	STUD MOUNT COVER	2
4	COVER ENDCAP	4
5	M6 X 16 CROSS SCREW	2
6	M6 X 20 CROSS SCREW	2
7	M8 X 16 CROSS SCREW	8
8	M8 X 20 CROSS SCREW	8
9	M8 X 25 CROSS SCREW	8
10	M6 OD13 T1.6 WASHER (FOR PARTS 5 & 6)	2
11	M8 OD16 T1.6 WASHER (FOR PARTS 7, 8, 9 & 12)	8
12	M8 X 50 COACH SCREW	4
13	No 10 WALL PLUG (FOR PART 12)	4

PLEASE KEEP THIS PARTS LIST FOR FUTURE REFERENCE

Suitable for loads up to 90Kg (198lbs)

See compatibility chart on Page 3 to select appropriate cross screws to fix your product to the stud mount rails.  
(Part 5, 6, 7, 8 or 9).



# BT8006

## COMPATABILITY CHART

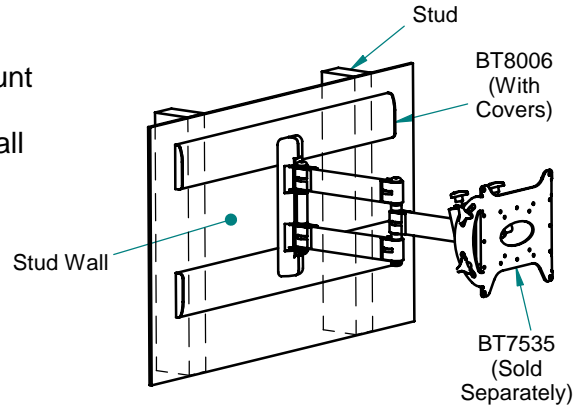
COMPATIBLE PRODUCTS	SLOTS & HOLE SIZES (mm)	WALL PLATE SLOTS & HOLE CONFIGURATION	WALL PLATE THICKNESS (mm)	CLAMP PIECES REQUIRED (PART 2)	SCREW REQUIRED TO FIX PRODUCT TO STUD MOUNT WHEN COVER (PART 3) NOT USED	SCREW REQUIRED TO FIX PRODUCT TO STUD MOUNT WHEN COVER (PART 3) USED	NUMBER OF SCREWS REQUIRED	BT8007 ADAPTOR REQUIRED (Y/N)
BT19	8.5	SLOTS & HOLES	5	2	M8 X 20 (PART 8)	M8 X 20 (PART 8)	4	NO
BT38	10.5	HOLES	3	2	M8 X 16 (PART 7)	M8 X 20 (PART 8)	4	NO
BT77	5 (BT8007 = 8.5)	HOLES	4 (BT8007 = 4)	2	COVER MUST BE USED	M8 X 20 (PART 8)	4	YES
BT314	5	Holes 90 x 80	4	4	NOT COMPATIBLE	M5 X 20 (PART 5)		NO
BT325	10.5	HOLES	6	4	M8 X 20 (PART 8)	M8 X 20 (PART 8)	4	NO
BT514	5 (BT8007 = 8.5)	HOLES	4 (BT8007 = 4)	2	COVER MUST BE USED	M8 X 20 (PART 8)	4	YES
BT517	5 (BT8007 = 8.5)	HOLES	4 (BT8007 = 4)	2	COVER MUST BE USED	M8 X 20 (PART 8)	4	YES
BT518	8.5 (BT8007 = 8.5)	HOLES	4 (BT8007 = 4)	2	COVER MUST BE USED	M8 X 20 (PART 8)	4	YES
BT520	5 (BT8007 = 8.5)	HOLES	4 (BT8007 = 4)	2	COVER MUST BE USED	M8 X 20 (PART 8)	4	YES
BT521	8.5 (BT8007 = 8.5)	HOLES	4 (BT8007 = 4)	2	COVER MUST BE USED	M8 X 20 (PART 8)	4	YES
BT525	8.5 (BT8007 = 8.5)	HOLES	5 (BT8007 = 4)	2	COVER MUST BE USED	M8 X 20 (PART 8)	4	YES
BT885	10.5	HOLES OR SLOTS	3	2	M8 X 16 (PART 7)	M8 X 20 (PART 8)	2	NO
BT7003	10.5	HOLES	6	4	M8 X 20 (PART 8)	M8 X 20 (PART 8)	4	NO
BT7510	8.5	MODULAR (24) HOLES	2.8	1	M8 X 16 (PART 7)	M8 X 20 (PART 8)	2	NO
BT7511	8	MODULAR (24) HOLES	2.8	1	M8 X 16 (PART 7)	M8 X 20 (PART 8)	2	NO
BT7512	6	HOLES	3	2	M6 X 16 (PART 5)	M6 X 20 (PART 7)	2	NO
BT7513	6	HOLES	3	2	M6 X 16 (PART 5)	M6 X 20 (PART 7)	2	NO
BT7514	8.5	MODULAR (24) HOLES	4	2	COVER MUST BE USED	M8 X 20 (PART 8)	4	NO
BT7515	8.5	MODULAR (24) HOLES	4	2	COVER MUST BE USED	M8 X 20 (PART 8)	4	NO
BT7518	6	HOLES	3	2	M6 X 16 (PART 5)	M6 X 20 (PART 7)	2	NO
BT7519	10.5	HOLES OR SLOTS	3	2	M8 X 16 (PART 7)	M8 X 20 (PART 8)	2	NO
BT7521	8	MODULAR (24) HOLES OR SLOTS	2.8	1 (HOLES) OR 4 (SLOTS)	M8 X 16 (PART 7)	M8 X 20 (PART 8)	2 OR 8	NO
BT7522	8	MODULAR (24) HOLES OR SLOTS	2.8	1 (HOLES) OR 4 (SLOTS)	M8 X 16 (PART 7)	M8 X 20 (PART 8)	2 OR 8	NO
BT7532	8	MODULAR (24) HOLES OR SLOTS	2.8	2 (HOLES) OR 4 (SLOTS)	M8 X 16 (PART 7)	M8 X 20 (PART 8)	4 OR 8	NO
BT7533	8	MODULAR (24) HOLES OR SLOTS	3	2 (HOLES) OR 4 (SLOTS)	M8 X 16 (PART 7)	M8 X 20 (PART 8)	4 OR 8	NO
BT7534	8.5	MODULAR (24) HOLES	4	2	COVER MUST BE USED	M8 X 20 (PART 8)	4	NO
BT7535	8.5	MODULAR (24) HOLES	4	2	COVER MUST BE USED	M8 X 20 (PART 8)	4	NO
BT7680	10	HOLES	5	4	M8 X 20 (PART 8)	M8 X 20 (PART 8)	4	NO
BT7681	10.5	HOLES	6	4	M8 X 20 (PART 8)	M8 X 20 (PART 8)	4	NO
BT7682	10	HOLES	5	4	M8 X 20 (PART 8)	M8 X 20 (PART 8)	4	NO
BT7803	10.5	HOLES	6	4	M8 X 20 (PART 8)	M8 X 20 (PART 8)	4	NO
BT8000	8.5	SLOTS	3	4	M8 X 16 (PART 7)	M8 X 20 (PART 8)	8	NO
BT8002	8.5	SLOTS	3	4	M8 X 16 (PART 7)	M8 X 20 (PART 8)	8	NO
BT8003	13	SLOTS	7	4	M8 X 20 (PART 8)	M8 X 25 (PART 10)	8	NO
BT8005	13	SLOTS	7	4	M8 X 20 (PART 8)	M8 X 25 (PART 10)	8	NO
BT8009	8.5 SLOTS, 9 HOLES	MODULAR (24) HOLES OR SLOTS	3	4	M8 X 16 (PART 7)	M8 X 20 (PART 8)	4	NO
BTX26	9	MODULAR (24) HOLES	3	2	M8 X 16 (PART 7)	M8 X 20 (PART 8)	4	NO



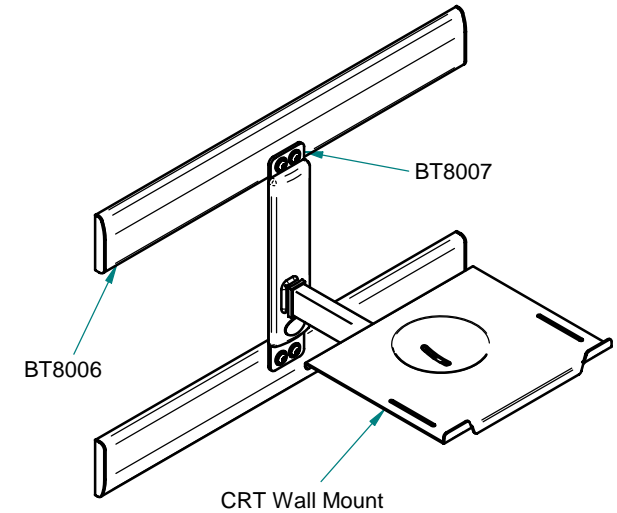
# BT8006

## TYPICAL INSTALLATIONS

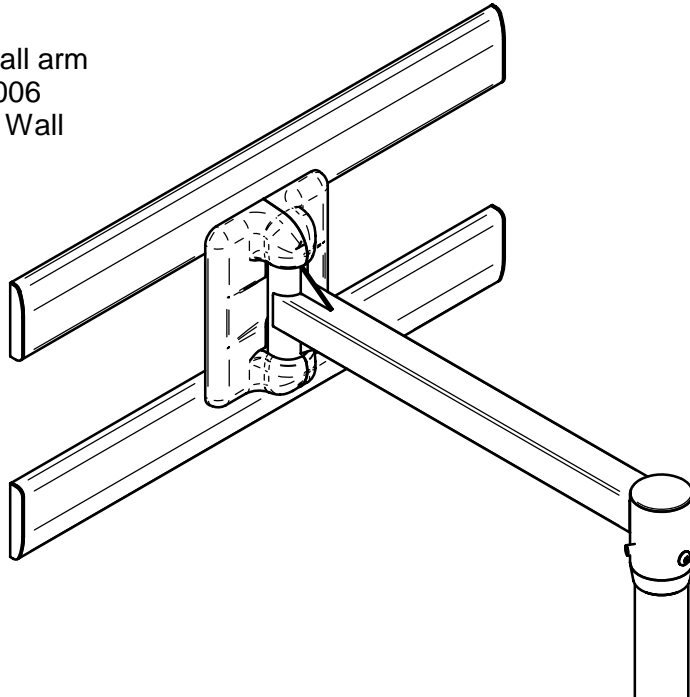
1. BT7535 flat screen wall mount fixed to BT8006 Double Stud Wall Mount.



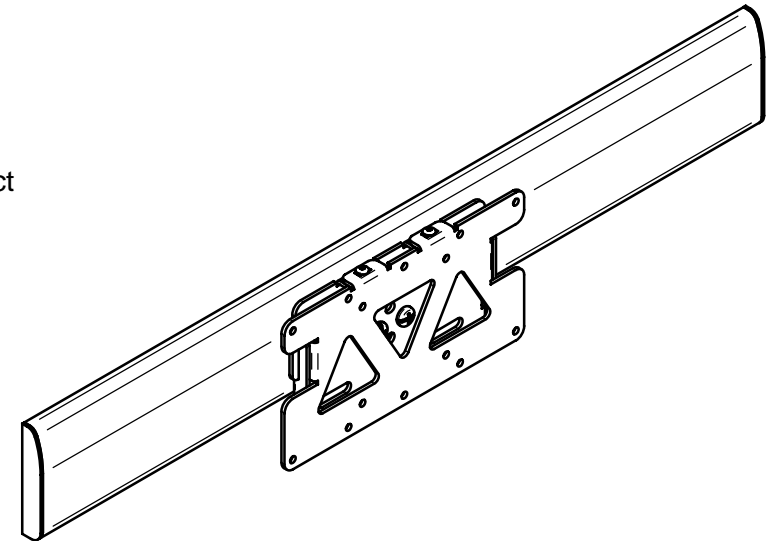
2. BT8007 Adaptor Plate fixed to BT8006 Double Stud Wall Mount. This adaptor is sold separately and allows the following products to be mounted to the BT8006: BT525.....



3. BT7803 wall arm fixed to BT8006 Double Stud Wall Mount.



4. BT7521 flat screen wall mount fixed to BT8006 Double Stud Wall Mount. This product only requires one stud mount rail.





# BT8006

## INSTALLATION INSTRUCTIONS (1)

### Tools Required For Installation:

- Cross Head Screwdriver
- 13mm (1/2") Spanner
- Power Drill
- 10mm Masonry Bit or 6mm Wood Bit depending on wall type
- Pencil
- Level
- Stud Locator

### READ FIRST

This is an example installation showing how a BT7535 can be mounted to a stud wall using a BT8006.

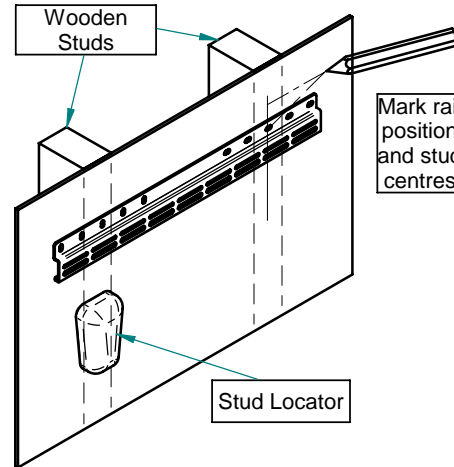
Different products require different lengths and amounts of fixing screws. See compatibility chart on Page 3 for details.

Depending on the size and weight of your equipment and if safe to do, one person can install this product.

### 1. Choose an area and locate studs

Locate the hidden studs using a suitable stud locator and lightly mark their centres. Each rail must fix to at least two different studs.

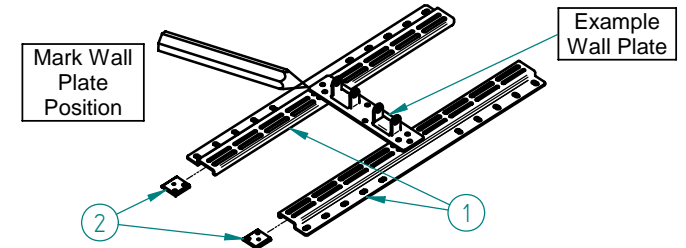
Mark the height and location for the upper most rail on the wall so that the mounting holes line up with the studs. orientate as shown.



*Please pay careful attention to where this mount is located. Some walls are not suitable for installation. If you install this wall mount on drywall it must be anchored to a wooden stud, concrete block or brick behind the drywall. Installing on drywall alone will not support the weight of the flat screen. When drilling holes it is essential to avoid contact with electrical cables, water or gas pipes in the wall. It is important that all mounting screws are used where possible.*

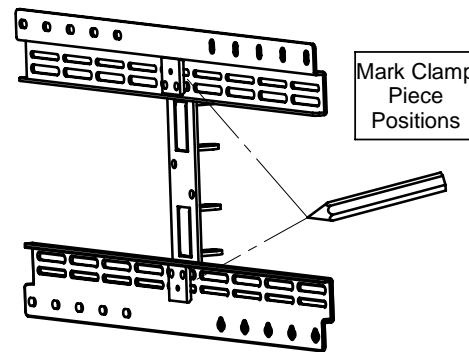
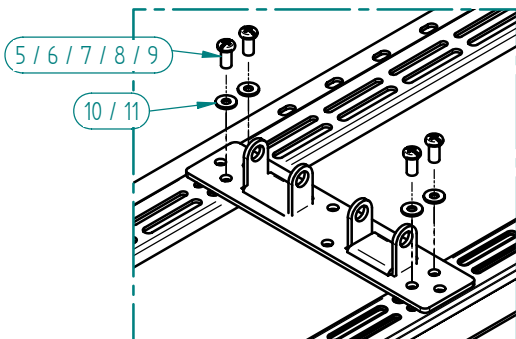
### 2. Mark the wall plate position on the rails

Set out the rails (Part 1) on the workbench, ensuring they are mirrored as shown. Place your specific wall plate onto the rails where it is to be mounted and mark this position. Using a screwdriver or pencil slide a clamp piece (Part 2) into each rail channel until they line up with the mounting holes in wall plate.



### 3. Attach your wall plate to the rails

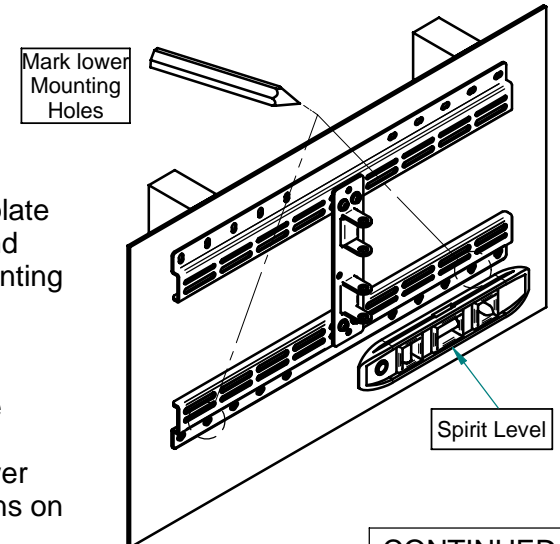
For correct fixing screw selection consult the compatibility chart on Page 3, then screw the wall plate into the clamp pieces as shown. Mark the positions of the clamp pieces behind the rails for future reference.



### 4. Mark out mounting hole positions

Place the rails, with wall plate attached, onto the wall and realign the upper rail mounting holes with your previous pencil marks.

Using a spirit level ensure both rails are Level and parallel then mark the lower rail mounting hole positions on the wall.



CONTINUED...



# BT8006

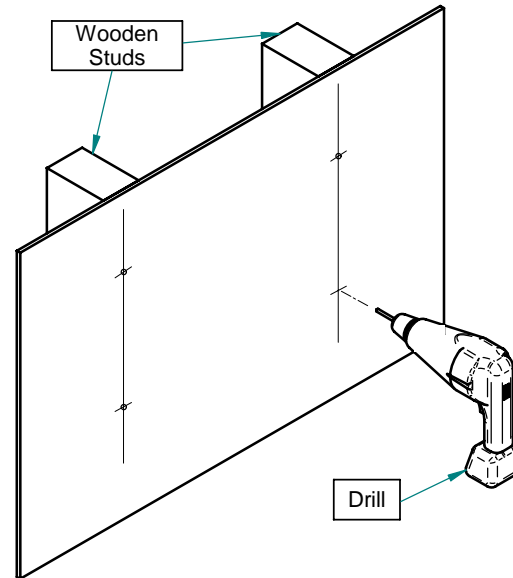
## INSTALLATION INSTRUCTIONS (2)

### 5. Drill out the mounting holes

Where marked, drill holes into the studs using the table below as a guide. The details for masonry walls are also shown. Before drilling make sure it is safe to do so.

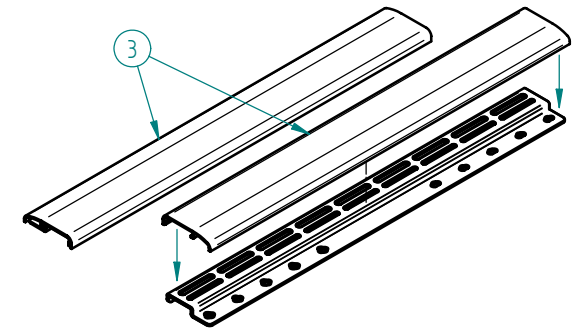
	Concrete / Brick Wall	Wooden / Stud Wall
<b>Parts Required</b>	11, 12, 13	11, 12
<b>Drill</b>	10mm Masonry Bit	6mm Wood Bit
<b>Hole Depth</b>	55mm	50mm
<b>Plastic Plug</b>	N° 10	Not Required
<b>Tightening Tool</b>	13mm (1/2") Spanner	13mm (1/2") Spanner

*This table applies when using the supplied coach bolts only. Other fixings may vary.*



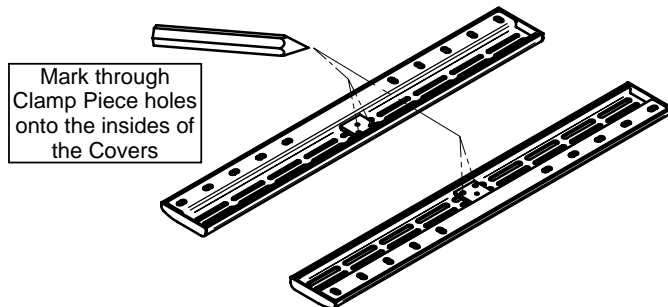
### 6. Fit the covers

Remove your wall plate from the rails and press the covers (Part 3) into position ensuring they are central by having the same amount of overhang at each end. Note the orientation of the rails.



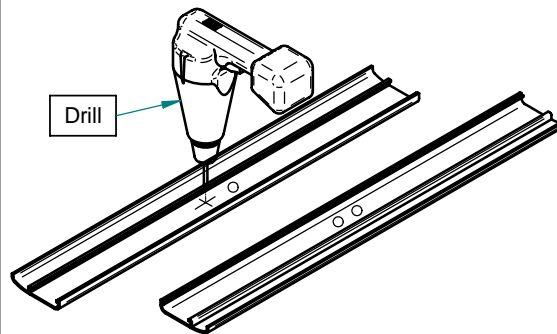
### 7. Mark hole positions on the covers

Flip the rails over as shown and realign the clamp pieces to your previous pencil marks. Mark the centres of your chosen holes in the clamp pieces onto the insides of the covers.



### 8. Drill through the covers

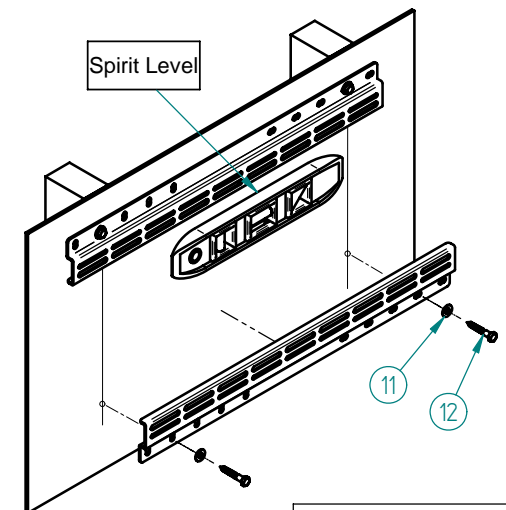
Remove the covers from the rails. Where marked drill Ø10mm holes through from the insides.



### 9. Mount the rails

Fix the rails to the wall where previously positioned using the supplied M8 coach screws (Part 12) and washers (Part 11).

Ensure both rails are level and parallel and that they are orientated correctly as shown.



CONTINUED...

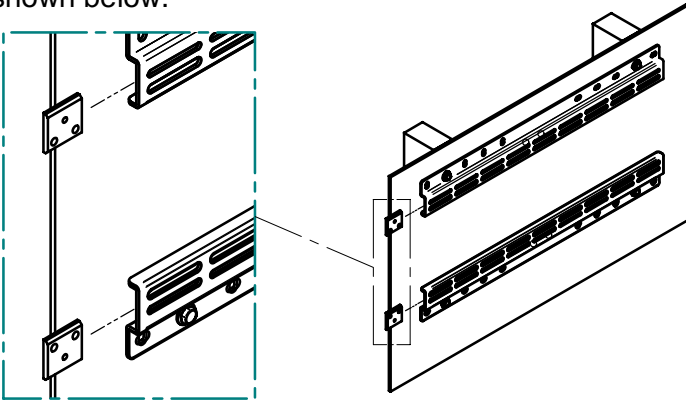


# BT8006

## INSTALLATION INSTRUCTIONS (3)

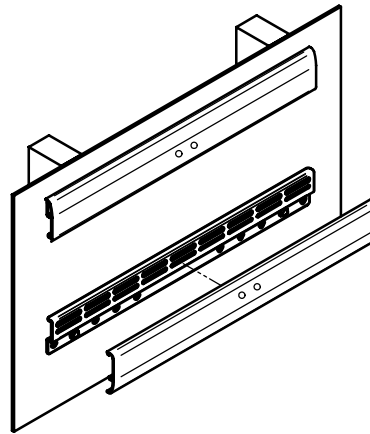
### 10. Insert the clamp pieces

Slide the clamp pieces behind the rails and reposition where marked. You will need a screwdriver or pencil to poke them along. Ensure they are of the correct orientation as shown below.



### 11. Fit the covers

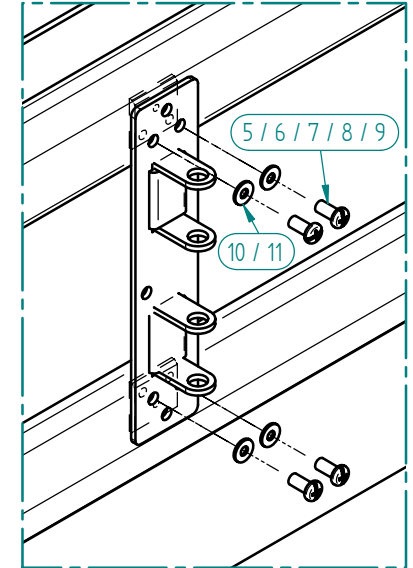
Press the covers firmly into place so they are again centralised.



### 12. Fix the wall plate to the rails

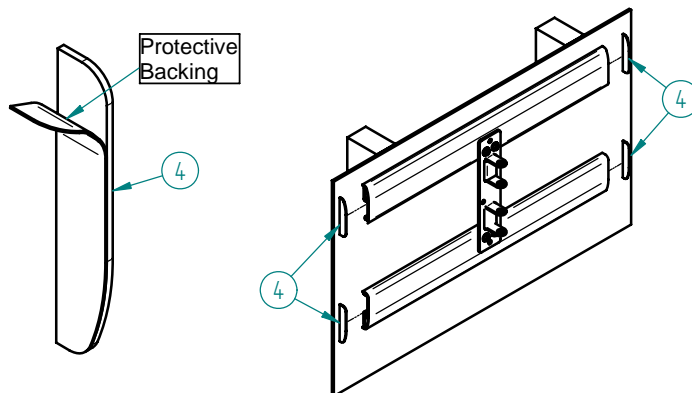
Pass the screws, selected earlier, through the covers and rails and turn gently clockwise until you pick up the clamp piece.

Ensure your wall plate is vertical before firmly tightening the screws.



### 13. Apply the end covers

One by one peel off the protective backing from the end covers (Part 4) and stick in place as shown.



### 14. Assemble your B-Tech product and mount your AV equipment

Consult the individual product assembly instructions and safety guidelines that are supplied with each B-Tech product before assembling the rest of the product.

Finally, double check that all fixings are secure.

